
**MiniSKiiP® 0**

## 3-phase bridge inverter

### SKiiP 04AC066V1

#### Target Data

#### Features

- Trench IGBT's
- Robust and soft freewheeling diodes in CAL technology
- Highly reliable spring contacts for electrical connections
- UL recognised file no. E63532

#### Typical Applications

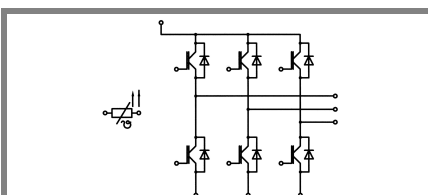
- Inverter up to 6,3 kVA
- Typical motor power 4,0 kW

#### Remarks

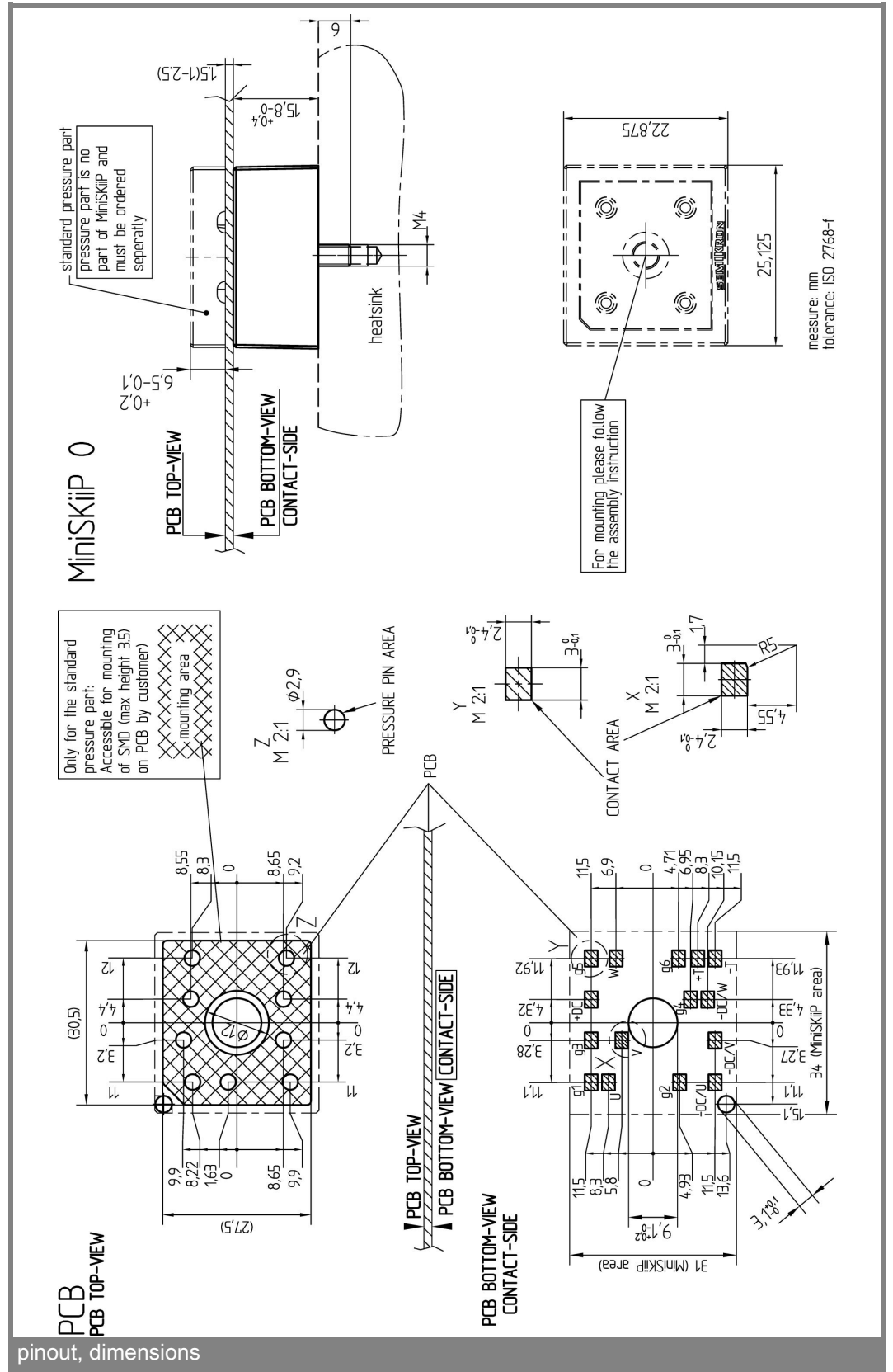
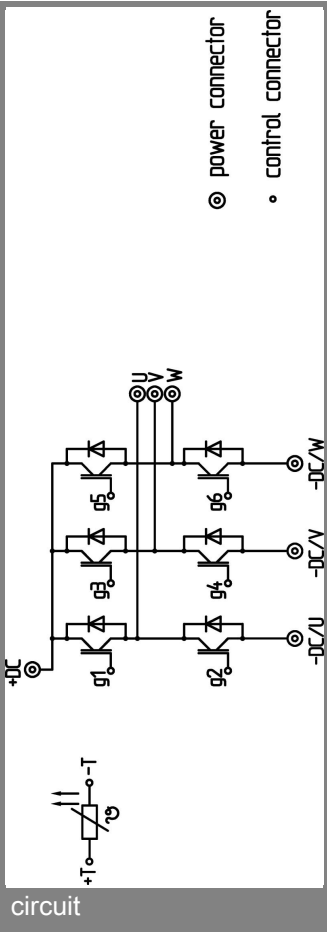
- Case temperature limited to  $T_C = 125^\circ\text{C}$  max.
- Product reliability results are valid for  $T_j = 150^\circ\text{C}$
- SC data:  $t_p \leq 6 \mu\text{s}$ ;  $V_{GE} \leq 15 \text{ V}$ ;  $T_j = 150^\circ\text{C}$ ;  $V_{CC} = 360 \text{ V}$
- $V_{CEsat}$ ,  $V_F =$  chip level value

Absolute Maximum Ratings		$T_S = 25^\circ\text{C}$ , unless otherwise specified	
Symbol	Conditions	Values	Units
<b>IGBT - Inverter</b>			
$V_{CES}$		600	V
$I_C$	$T_S = 25 (70)^\circ\text{C}, T_j = 150^\circ\text{C}$	26 (20)	A
$I_C$	$T_S = 25 (70)^\circ\text{C}, T_j = 175^\circ\text{C}$	27 (22)	A
$V_{GES}$		$\pm 20$	V
$T_j$		-40...+175	$^\circ\text{C}$
<b>Diode - Inverter</b>			
$I_F$	$T_S = 25 (70)^\circ\text{C}, T_j = 150^\circ\text{C}$	25 (19)	A
$I_F$	$T_S = 25 (70)^\circ\text{C}, T_j = 175^\circ\text{C}$	28 (22)	A
$T_j$		-40...+175	$^\circ\text{C}$
$I_{tRMS}$	per power terminal (20 A / spring)	20	A
$T_{stg}$	$T_{op} \leq T_{stg}$	-40...+125	$^\circ\text{C}$
$V_{isol}$	AC, 1 min.	2500	V

Characteristics		$T_S = 25^\circ\text{C}$ , unless otherwise specified			
Symbol	Conditions	min.	typ.	max.	Units
<b>IGBT - Inverter</b>					
$V_{CEsat}$	$I_C = 20 \text{ A}, T_j = 25 (150)^\circ\text{C}$	1,1	1,45 (1,65)	1,85 (2,05)	V
$V_{GE(th)}$	$V_{GE} = V_{CE}, I_C = 1 \text{ mA}$		5,8		V
$V_{CE(TO)}$	$T_j = 25 (150)^\circ\text{C}$		0,9 (0,85)	1 (0,9)	V
$r_T$	$T_j = 25 (150)^\circ\text{C}$		30 (42,5)	45 (60)	m $\Omega$
$C_{ies}$	$V_{CE} = 25 \text{ V}, V_{GE} = 0 \text{ V}, f = 1 \text{ MHz}$		1,13		nF
$C_{oes}$	$V_{CE} = 25 \text{ V}, V_{GE} = 0 \text{ V}, f = 1 \text{ MHz}$		0,25		nF
$C_{res}$	$V_{CE} = 25 \text{ V}, V_{GE} = 0 \text{ V}, f = 1 \text{ MHz}$		0,18		nF
$R_{CC+EE'}$	spring contact-chip $T_S = 25 (150)^\circ\text{C}$				m $\Omega$
$R_{th(j-s)}$	per IGBT		1,62		K/W
$t_{d(on)}$	under following conditions		16		ns
$t_r$	$V_{CC} = 300 \text{ V}, V_{GE} = \pm 15 \text{ V}$		30		ns
$t_{d(off)}$	$I_C = 20 \text{ A}, T_j = 150^\circ\text{C}$		175		ns
$t_f$	$R_{Gon} = R_{Goff} = 15 \Omega$		46		ns
$E_{on}(E_{off})$	inductive load		0,73 (0,65)		mJ
<b>Diode - Inverter</b>					
$V_F = V_{EC}$	$I_F = 20 \text{ A}, T_j = 25 (150)^\circ\text{C}$		1,4 (1,4)	1,7 (1,7)	V
$V_{(TO)}$	$T_j = 25 (150)^\circ\text{C}$		1 (0,9)	1,1 (1)	V
$r_T$	$T_j = 25 (150)^\circ\text{C}$		20 (25)	30 (35)	m $\Omega$
$R_{th(j-s)}$	per diode		2,46		K/W
$I_{RRM}$	under following conditions		24,8		A
$Q_{rr}$	$I_F = 20 \text{ A}, V_R = 300 \text{ V}$		2,25		$\mu\text{C}$
$E_{rr}$	$V_{GE} = 0 \text{ V}, T_j = 150^\circ\text{C}$ $di_F/dt = 1240 \text{ A}/\mu\text{s}$		0,2		mJ
<b>Temperature Sensor</b>					
$R_{ts}$	3 %, $T_r = 25 (100)^\circ\text{C}$		1000(1670)		$\Omega$
<b>Mechanical Data</b>					
m			21,5		g
$M_s$	Mounting torque	2		2,5	Nm



AC



This is an electrostatic discharge sensitive device (ESDS), international standard IEC 60747-1, Chapter IX.

This technical information specifies semiconductor devices but promises no characteristics. No warranty or guarantee expressed or implied is made regarding delivery, performance or suitability.