

**GENERAL TECHNICAL CHARACTERISTICS**

Reference standards : IEC 61071 60068  
 Dielectric : Polypropylene film  
 Construction : Extended metallized film  
 Coating : Self extinguishing plastic case UL94 V-0. Dry construction  
 Leads: Lead screw M8

**ELECTRICAL CHARACTERISTICS**

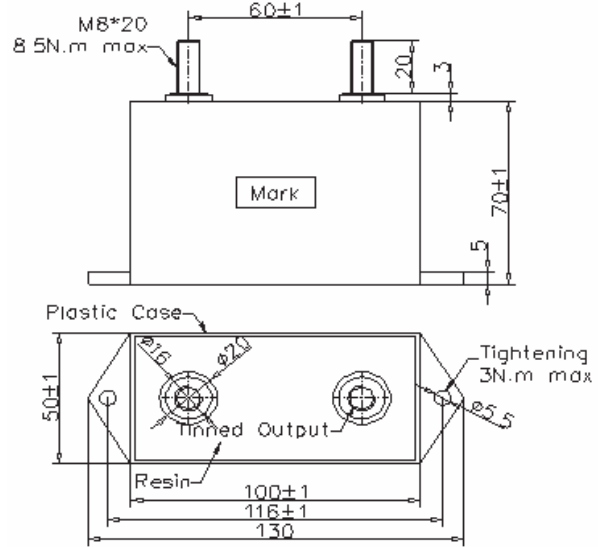
Operating temperature range : - 40 to + 85 °C (Hotspot temperature)  
 Capacitance : 0.06 to 10µF  
 Peak to peak Voltage : 500 to 3000 VAC  
 Tolerance : ± 5% , ± 10%  
 Dissipation factor: 5×10<sup>-4</sup> Measured at 1000±20 Hz and 20±5 °C .  
 Life expectancy : 100,000 hours at Un and 70 °C (Hotspot temperature).

**TEST METHODS AND PERFORMANCES**

Dielectric strength: 1.5Urms (AC) applied to 60s at 20±5°C  
 Test voltage terminal to case : 3KVAC/50Hz for 60s  
 Insulation resistance : ≥ 5000 s after 1 minute of electrification at 100VDC (20±5°C)

**ORDERING CODE**

Please refer to Page 10, item I



**Electrical specifications,ordering codes**

Ordering Code	Cap (µF)	Irms@45°C (A)	du/dt (v/µs)	Ipeak (A)	ESR@10kHz (mΩ)
<b>Up-peak 500VAC , Urms 250VAC</b>					
SCH-500-10-M	10	100	240	2400	1.1
SCH-500-7.5-M	7.5	100	250	1857	1.2
<b>Up-peak 750VAC , Urms 350VAC</b>					
SCH-750-6.8-M	6.8	100	300	2040	1.2
SCH-750-5.0-M	5.0	100	300	1500	1.2
<b>Up-peak 1000Vac , Urms 400VAC</b>					
SCH-1000-4.7-M	4.7	100	460	2162	1.1
SCH-1000-3.3-M	3.3	100	470	1551	1.2
SCH-1000-1.5-M	1.5	90	1010	1515	1.2
SCH-1000-1.0-M	1.0	90	1390	1390	1.3
<b>Up-peak 1500VAC , Urms 550VAC</b>					
SCH-1500-1.0-M	1.0	80	590	590	2.6
SCH-1500-0.68-M	0.68	75	920	626	2.8
SCH-1500-0.60-M	0.60	75	920	552	2.9
<b>Up-peak 2000VAC , Urms 750VAC</b>					
SCH-2000-1.0-M	1.0	70	590	590	2.6
SCH-2000-0.68-M	0.68	70	660	449	2.8
SCH-2000-0.47-M	0.47	60	1230	578	2.9
SCH-2000-0.33-M	0.33	60	1350	446	3.1
<b>Up-peak 3000VAC , Urms 1000VAC</b>					
SCH-3000-0.24-M	0.24	50	1960	470	3.2
SCH-3000-0.15-M	0.15	45	2950	443	3.5
SCH-3000-0.12-M	0.12	40	3350	402	3.8
SCH-3000-0.10-M	0.10	40	3350	335	4.1
SCH-3000-0.06-M	0.06	30	4740	284	7.6