

### GENERAL TECHNICAL CHARACTERISTICS

Reference standards : IEC 61071-60068  
 Dielectric : Polypropylene film  
 Construction : Metallized film with internal series connection ,  
 Non-inductive type  
 Coating : Aluminum case. Dry construction  
 Leads: Threaded bolt, M10

### ELECTRICAL CHARACTERISTICS

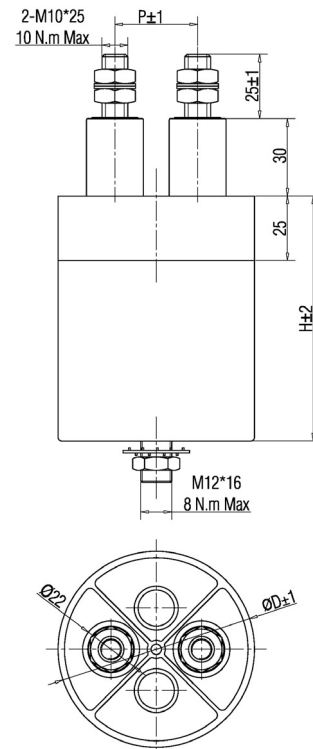
Operating temperature range : - 40 to + 85 °C (Hotspot temperature)  
 Capacitance : 0.22 to 11.0µF  
 Rated Voltage : 2400 to 8000 VDC  
 Tolerance : ± 5% , ± 10%  
 Dissipation factor:  $\leq 5 \times 10^{-4}$  Measured at 1000±20 Hz and 20±5°C  
 Life expectancy : 100,000 hours at Un and 70 °C (Hotspot temperature)

### TEST METHODS AND PERFORMANCES

Dielectric strength: 1.5Un (DC) applied to 10s at 20±5°C (1 minute for type test)  
 Test voltage terminal to case : (2xUrms+1000) VAC, Min 3000VAC 60s  
 Insulation resistance : 10,000 s but need not exceed 30GΩ (typical value) after 1 minute of electrification at 100VDC (20±5°C)

### ORDERING CODE

Please refer to Page 10, item J



### Electrical specifications, ordering codes

Ordering Code	Cap (µF)	Dimension (mm)			I <sub>rms</sub> @45°C @10kHz (A)	du/dt (v/µs)	I <sub>peak</sub> (A)	L <sub>s</sub> (nH)	ESR@10kHz (mΩ)
		D	H	P					
<b>Un 2400VDC , Urms 1200VAC , U<sub>peak</sub> 1680V , Us 3600V</b>									
SDH-2400-1.5-MS	1.5	76	70	35	35	800	1200	<50	1.9
SDH-2400-2.2-MS	2.2	76	70	35	40	800	1760	<50	1.4
SDH-2400-3.0-MS	3.0	86	70	35	45	800	2400	<50	1.1
SDH-2400-4.7-MS	4.7	76	125	35	55	800	3760	<50	0.8
SDH-2400-6.0-MS	6.0	86	125	35	65	800	4800	<50	0.7
SDH-2400-11-MS	11	116	130	50	80	800	8800	<50	0.5
<b>Un 3600VDC , Urms 1800VAC , U<sub>peak</sub> 2520V , Us 5400V</b>									
SDH-3600-1.0-MS	1.0	76	95	35	32	1000	1000	<50	2.7
SDH-3600-1.5-MS	1.5	76	95	35	40	1000	1500	<50	1.9
SDH-3600-2.0-MS	2.0	86	95	35	45	1000	2000	<50	1.5
SDH-3600-3.0-MS	3.0	76	175	35	50	1000	3000	<50	1.1
SDH-3600-4.0-MS	4.0	86	175	35	65	1000	4000	<50	0.9
SDH-3600-7.5-MS	7.5	116	180	50	80	1000	7500	<50	0.6
<b>Un 4800VDC , Urms 2400VAC , U<sub>peak</sub> 3360V , Us 7200V</b>									
SDH-4800-0.68-MS	0.68	76	120	35	30	1200	816	<50	3.8
SDH-4800-1.0-MS	1.0	76	120	35	38	1200	1200	<50	2.7
SDH-4800-1.5-MS	1.5	86	120	35	42	1200	1800	<50	1.9
SDH-4800-2.2-MS	2.2	76	225	35	48	1200	2640	<50	1.4
SDH-4800-3.0-MS	3.0	86	225	35	60	1200	3600	<50	1.1
SDH-4800-5.6-MS	5.6	116	230	50	80	1200	6720	<50	0.7
<b>Un 6000VDC , Urms 3000VAC , U<sub>peak</sub> 4200V , Us 9000V</b>									
SDH-6000-0.68-MS	0.68	76	145	35	32	1500	1020	<50	3.8
SDH-6000-0.82-MS	0.82	76	145	35	37	1500	1230	<50	3.2
SDH-6000-1.2-MS	1.2	86	145	35	40	1500	1800	<50	2.3
SDH-6000-1.8-MS	1.8	76	275	35	45	1500	2700	<50	1.6

### Electrical specifications, ordering codes

Ordering Code	Cap ( $\mu$ F)	Dimension (mm)			I <sub>rms</sub> @45°C @10kHz (A)	du/dt (v/ $\mu$ s)	I <sub>peak</sub> (A)	L <sub>s</sub> (nH)	ESR@10kHz (m $\Omega$ )
		D	H	P					
<b>Un 6000VDC , Urms 3000VAC , U<sub>peak</sub> 4200V , Us 9000V</b>									
SDH-6000-2.4-MS	2.4	86	275	35	60	1500	3600	<50	1.3
SDH-6000-4.5-MS	4.5	116	275	50	80	1500	6750	<50	0.8
<b>Un 8000VDC , Urms 4000VAC , U<sub>peak</sub> 5600V , Us 12000V</b>									
SDH-8000-0.22-MS	0.22	76	135	35	33	3000	660	<50	5.8
SDH-8000-0.33-MS	0.33	76	135	35	40	3000	990	<50	4.0
SDH-8000-0.47-MS	0.47	86	135	35	45	3000	1410	<50	2.9
SDH-8000-0.68-MS	0.68	76	260	35	50	3000	2040	<50	2.1
SDH-8000-1.0-MS	1.0	86	260	35	60	3000	3000	<50	1.5
SDH-8000-1.8-MS	1.8	116	260	50	80	3000	5400	<50	1.0