

### GENERAL TECHNICAL CHARACTERISTICS

Reference standards : IEC 61071-60068  
 Dielectric : Polypropylene film  
 Construction : Segmented metallized film, Dry construction  
 Coating : Aluminum case. Dry construction  
 Leads: Threaded insert M6, bolt available

### ELECTRICAL CHARACTERISTICS

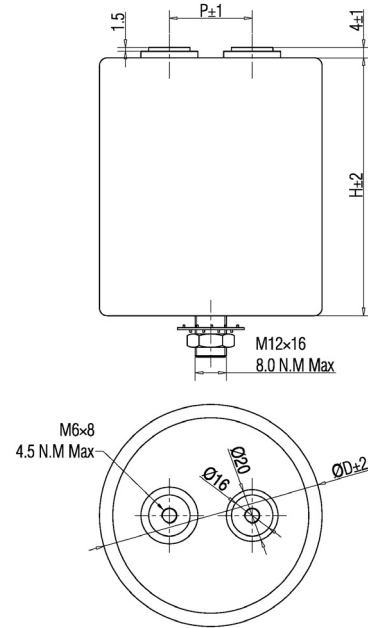
Operating temperature range : - 40 to + 85 °C (Hotspot temperature)  
 Capacitance : 50 to 1000µF  
 Rated Voltage : 800 to 3200 VDC  
 Tolerance : ± 5% , ± 10%  
 Dissipation factor:  $\leq 2 \times 10^{-3}$  Measured at 100Hz and 20±5°C  
 Life expectancy : 100,000 hours at Un and 70 °C (Hotspot temperature)

### TEST METHODS AND PERFORMANCES

Dielectric strength: 1.5Un (DC) applied to 10s at 20±5°C  
 Test voltage terminal to case : (1.5×Un+1000)VAC, Min 3000VAC, for 60 sec  
 Insulation resistance :  $\geq 10000$  s, after 1 minute of electrification at 100VDC (20±5°C)

### ORDERING CODE

Please refer to Page 10, item J



### Electrical specifications, ordering codes

Ordering Code	Cap (µF)	D (mm)	H (mm)	P (mm)	Irms@45°C @10kHz (A)	ESR@1.0kHz (mΩ)	RTH (k/w)	Weight (kg)
<b>Un 800VDC , Us 1200V , Ur 200V</b>								
SHE-800-430-FS	430	76	120	32	40	4.3	3.9	0.65
SHE-800-550-FS	550	86	120	32	46	3.7	3.5	0.85
SHE-800-800-FS	800	76	225	32	67	2.9	2.0	1.25
SHE-800-1000-FS	1000	86	225	32	76	2.6	1.8	1.50
<b>Un 1000VDC , Us 1500V , Ur 250V</b>								
SHE-1000-275-FS	275	76	120	32	37	5.0	3.9	0.65
SHE-1000-350-FS	350	86	120	32	43	4.2	3.5	0.85
SHE-1000-500-FS	500	76	225	32	63	3.3	2.0	1.25
SHE-1000-680-FS	680	86	225	32	73	2.8	1.8	1.50
<b>Un 1200VDC , Us 1800V , Ur 300V</b>								
SHE-1200-200-FS	200	76	120	32	35	5.5	3.9	0.65
SHE-1200-250-FS	250	86	120	32	41	4.7	3.5	0.85
SHE-1200-370-FS	370	76	225	32	61	3.6	2.0	1.25
SHE-1200-470-FS	470	86	225	32	69	3.1	1.8	1.50
<b>Un 1400VDC , Us 2100V , Ur 330V</b>								
SHE-1400-140-FS	140	76	120	32	33	6.5	3.9	0.65
SHE-1400-180-FS	180	86	120	32	38	5.3	3.5	0.85
SHE-1400-270-FS	270	76	225	32	58	4.0	2.0	1.25
SHE-1400-350-FS	350	86	225	32	66	3.4	1.8	1.50
<b>Un 1600VDC , Us 2400V , Ur 350V</b>								
SHE-1600-100-FS	100	76	120	32	30	7.7	3.9	0.65
SHE-1600-140-FS	140	86	120	32	36	5.9	3.5	0.85
SHE-1600-200-FS	200	76	225	32	54	4.5	2.0	1.25
SHE-1600-270-FS	270	86	225	32	64	3.7	1.8	1.50
<b>Un 1800VDC , Us 2700V , Ur 400V</b>								
SHE-1800-80-FS	80	76	120	32	29	8.4	3.9	0.65
SHE-1800-110-FS	110	86	120	32	35	6.4	3.5	0.85

## Electrical specifications, ordering codes

Ordering Code	Cap ( $\mu$ F)	D (mm)	H (mm)	P (mm)	I <sub>rms</sub> @45°C @10kHz (A)	ESR@1.0kHz (m $\Omega$ )	RTH (k/w)	Weight (kg)
<b>Un 1800VDC , Us 2700V , Ur 400V</b>								
SHE-1800-160-FS	160	76	225	32	52	4.8	2.0	1.25
SHE-1800-200-FS	200	86	225	32	60	4.1	1.8	1.50
<b>Un 2000VDC , Us 3000V , Ur 450V</b>								
SHE-2000-130-FS	130	76	225	32	36	10.4	2.0	1.25
SHE-2000-170-FS	170	86	225	32	42	8.6	1.8	1.50
<b>Un 2400VDC , Us 3600V , Ur 500V</b>								
SHE-2400-90-FS	90	76	225	32	33	12.0	2.0	1.25
SHE-2400-120-FS	120	86	225	32	39	9.7	1.8	1.50
<b>Un 2800VDC , Us 4200V , Ur 600V</b>								
SHE-2800-65-FS	65	76	225	32	31	13.8	2.0	1.25
SHE-2800-85-FS	85	86	225	32	37	11.2	1.8	1.50
<b>Un 3200VDC , Us 4800V , Ur 700V</b>								
SHE-3200-50-FS	50	76	225	32	29	15.3	2.0	1.25
SHE-3200-65-FS	65	86	225	32	35	12.4	1.8	1.50