

GENERAL TECHNICAL CHARACTERISTICS

Reference standards : IEC 61071-60068
 Dielectric : Polypropylene film
 Construction : Metallized film with internal series connection ,
 Non-inductive type
 Coating : Aluminum case. Dry construction
 Leads: Lug

ELECTRICAL CHARACTERISTICS

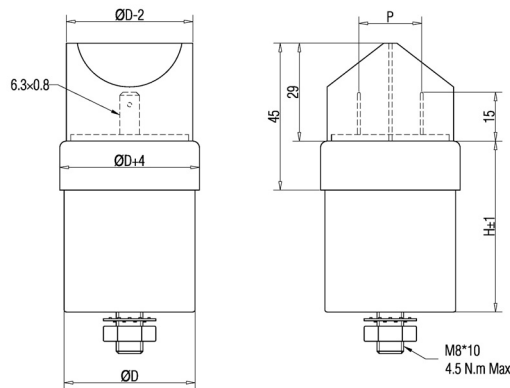
Operating temperature range: - 40 to + 85 °C (Hotspot temperature)
 Capacitance : 0.068 to 8.0µF
 Rated Voltage : 2000 to 4000 VDC
 Tolerance : ± 5% , ± 10%
 Dissipation factor: ≤ 10×10⁻⁴ Measured at 1000±20 Hz and 20±5°C
 Life expectancy : 100,000 hours at Un and 70°C (Hotspot temperature)

TEST METHODS AND PERFORMANCES

Dielectric strength: 1.5Un (DC) applied to 10s at 20±5°C
 Test voltage terminal to case : (2xUrms+1000) Vac, Min 3000Vac 60s
 Insulation resistance : 10,000 s but need not exceed 30GΩ (typical value) after 1 minute of electrification at 100Vdc (20 ± 5°C)

ORDERING CODE

Please refer to Page 10, item I



Electrical specifications, ordering codes

Ordering Code	Cap (µF)	Dimension (mm)			I _{rms} @45°C @10kHz (A)	du/dt (v/µs)	I _{peak} (A)	L _s (nH)	ESR@1.0kHz (mΩ)
		D	H	P					
Un 2000VDC , Urms 750VAC , U_{peak} 1050V , Us 3000V									
SRH-2000-1.5-A	1.5	38	70	20	10	120	180	< 60	18.7
SRH-2000-2.2-A	2.2	38	70	20	10	120	264	< 60	13.0
SRH-2000-2.7-A	2.7	38	70	20	10	120	324	< 60	10.7
SRH-2000-3.3-A	3.3	38	95	20	10	100	330	< 60	18.4
SRH-2000-4.0-A	4.0	38	95	20	10	100	400	< 60	15.3
SRH-2000-5.0-B	5.0	45	95	22	10	100	500	< 60	12.3
SRH-2000-6.8-B	6.8	45	95	22	10	100	680	< 60	9.2
SRH-2000-8.0-B	8.0	45	120	22	10	80	640	< 60	12.4
Un 2800VDC , Urms 1100VAC , U_{peak} 1540V , Us 4200V									
SRH-2800-0.47-A	0.47	38	70	20	10	250	118	< 60	33.7
SRH-2800-0.68-A	0.68	38	70	20	10	250	170	< 60	23.7
SRH-2800-0.82-A	0.82	38	70	20	10	250	205	< 60	19.9
SRH-2800-1.0-A	1.0	38	95	20	10	220	220	< 60	34.4
SRH-2800-1.2-A	1.2	38	95	20	10	220	264	< 60	28.9
SRH-2800-1.8-B	1.8	45	95	22	10	220	396	< 60	19.6
SRH-2800-2.2-B	2.2	45	95	22	10	220	484	< 60	16.2
SRH-2800-3.0-B	3.0	45	120	22	10	150	450	< 60	20.3

Electrical specifications, ordering codes

Ordering Code	Cap (μ F)	Dimension (mm)			I _{rms} @45°C @10kHz (A)	du/dt (v/ μ s)	I _{peak} (A)	L _s (nH)	ESR@1.0kHz (m Ω)
		D	H	P					
Un 3200VDC , Urms 1300VAC , Upeak 1820V , Us 4800V									
SRH-3200-0.10-A	0.10	38	55	20	10	1000	100	<60	15.3
SRH-3200-0.15-A	0.15	38	55	20	10	1000	150	<60	10.5
SRH-3200-0.22-A	0.22	38	55	20	10	1000	220	<60	7.3
SRH-3200-0.33-A	0.33	38	70	20	10	800	264	<60	9.4
SRH-3200-0.47-A	0.47	38	70	20	10	800	376	<60	6.7
SRH-3200-0.68-B	0.68	45	70	22	10	800	544	<60	4.8
SRH-3200-0.75-B	0.75	45	70	22	10	800	600	<60	4.4
Un 3600VDC , Urms 1800VAC , Upeak 2520V , Us 5400V									
SRH-3600-0.10-A	0.10	38	70	20	10	1200	120	<60	15.6
SRH-3600-0.15-A	0.15	38	70	20	10	1200	180	<60	10.6
SRH-3600-0.22-B	0.22	45	70	22	10	1200	264	<60	7.4
SRH-3600-0.33-B	0.33	45	95	22	10	1000	330	<60	9.5
SRH-3600-0.50-B	0.50	45	95	22	10	1000	500	<60	6.4
Un 4000VDC , Urms 2200VAC , Upeak 3080V , Us 6000V									
SRH-4000-0.068-A	0.068	38	90	20	10	1500	102	<60	22.6
SRH-4000-0.10-A	0.10	38	90	20	10	1500	150	<60	15.7
SRH-4000-0.15-B	0.15	45	90	22	10	1500	225	<60	10.7
SRH-4000-0.20-B	0.20	45	90	22	10	1500	300	<60	8.1
SRH-4000-0.33-B	0.33	45	120	22	10	1200	396	<60	9.5
SRH-4000-0.39-B	0.39	45	120	22	10	1200	468	<60	8.1